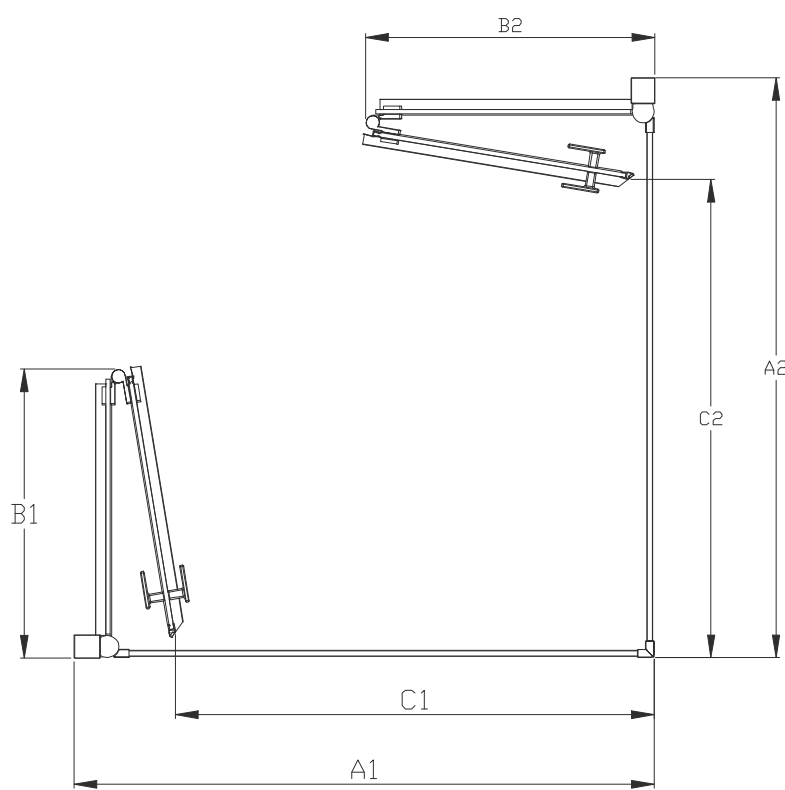


LAP-B

Size	700	750	800	900	1000	1200
A1/A2	670-690	720-740	770-790	870-890	970-990	1170-1190
B1/B2	335	360	385	435	485	585
C1/C2	544	591	637	729	821	1005



Code	Draw	Quantity	Describe					
A		1	1884*305*6	1884*330*6	1884*355*6	1884*405*6	1884*455*6	1884*555*6
B		1	1884*290*6	1884*315*6	1884*340*6	1884*390*6	1884*440*6	1884*540*6
C		1	1900	1900	1900	1900	1900	1900
D		1	1848	1848	1848	1848	1848	1848
E		2	1848	1848	1848	1848	1848	1848
F		1	1840	1840	1840	1840	1840	1840
G		1	596	646	696	796	896	1096
H		2	1886	1886	1886	1886	1886	1886
I		1	284.5	309.5	334.5	384.5	434.5	534.5
J		2	307.5	332	357	407	457	557
K		1	1889	1889	1889	1889	1889	1889
L		2	1L+1R	1L+1R	1L+1R	1L+1R	1L+1R	1L+1R
M		2						
N		2						
O		1						
P		1						
Q		2	1L+1R	1L+1R	1L+1R	1L+1R	1L+1R	1L+1R
R		1						
S		2						
T		1						
U		2	1L+1R	1L+1R	1L+1R	1L+1R	1L+1R	1L+1R
V		2						